

ECN-380-QM87

- Intel® Core™ i5/Celeron® CPU
- Triple Video Outputs



Features

- Intel® Core™ i5/Celeron® CPU
 - » Intel® Core™ i5-4400E 2.7 GHz/Celeron® 2000E 2.2 GHz
- Triple video outputs
 - » 2 x HDMI + VGA
- Two 2.5" SATA 6Gb/s HDD/SSD drive bays



Specifications

Model Name	ECN-380-QM87	
Chassis	Color	Silver
	Dimensions (WxDxH) (mm)	265 x 134 x 56.7
	System Fan	Fanless
	Chassis Construction	Aluminum alloy with heavy duty metal
Motherboard	Motherboard Model	NANO-QM871-i1
	SBC Size (mm)	EPIC, 165 x 115
	CPU	Intel® mobile Core™ i5-4400E with AMT 9.0 support (up to 2.7GHz, dual-core, 3MB cache, TDP=37W) Intel® mobile Celeron® 2000E (up to 2.2GHz, dual-core, 2MB cache, TDP=37W)
	Chipset	Intel® QM87
	System Memory	One 204-pin 4GB DDR3 SO-DIMM pre-installed (system max: 8GB)
IPMI	iRIS Solution	1 x iRIS-1010 (optional)
Storage	Hard Drive	2 x 2.5" SATA 6Gb/s HDD/SSD drive bay
	I/O Interfaces	USB 3.0: 2 USB 2.0: 4 Ethernet: 2 x RJ-45 LAN1: Intel® I217LM PHY with Intel® AMT 9.0 support LAN2: Intel® I210-AT PCIe controller COM Port: 2 x RS-232 Display: 2 x HDMI, 1 x VGA Resolution: VGA: Up to 1920 x 1200@60Hz HDMI: Up to 2500 x 1600@60Hz Audio: 1 x Line-out, 1 x Mic-in Wireless: 1 x 802.11b/g/n (optional)
Expansions	PCIe Mini	1 x Full-size PCIe Mini (supports mSATA, SATA 6Gb/s signal only)* 1 x Half-size PCIe Mini (only for iRIS-1010)
Power	Power Input	DC jack: 12 V DC 3-pin terminal: 9 V~36 V DC
	Power Consumption	12 V@4.6 A (Intel® mobile Core™ i5-4400E with 4GB 1333MHz DDR3 memory)
Reliability	Mounting	Wall mount, VESA 100
	Operating Temperature	-20°C ~60°C with air flow (SSD), 10% ~ 95%, non-condensing
	Storage Temperature	-30°C ~70°C with air flow (SSD), 10% ~ 95%, non-condensing
	Operating Shock	Half-sine wave shock 5G, 11ms, 3 shocks per axis
	Operating Vibration	MIL-STD-810F 514.5C-2 (with SSD)
	Weight (Net/Gross)	2.4 kg/4.2 kg

* ECN-380-QM87i-WD-QGW without Full-size PCIe Mini Card slot expansion

Removable 2.5" SATA HDD/SSD Bay

The ECN-380 series is equipped with two 2.5" SATA HDD bays. One of the HDD bays is removable for easy installation.



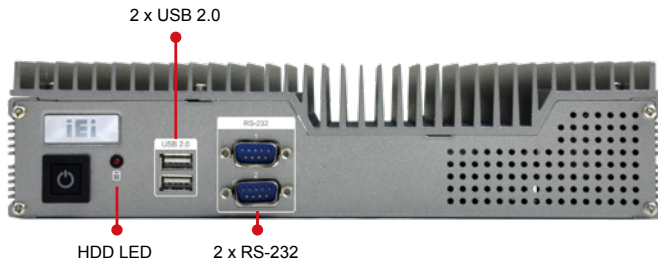
Triple Display Outputs

The ECN-380-QM87 contains two HDMI and one VGA. All of the display outputs support high resolution video, which can be applied widely in multi-monitor applications.

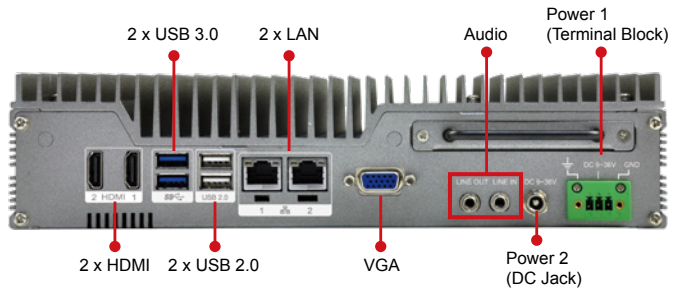


Fully Integrated I/O

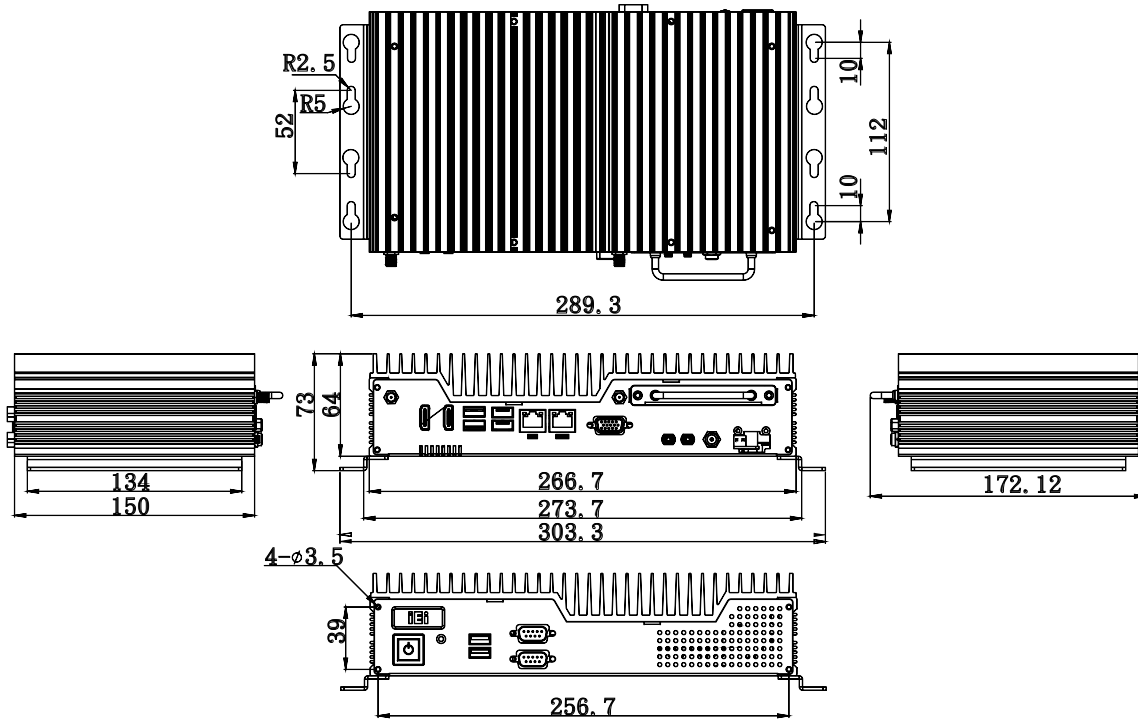
●ECN-380-QM87 Front I/O



●ECN-380-QM87 Rear I/O



Dimensions (Unit: mm)



Ordering Information

Part No.	Description
ECN-380-QM87I-I5/4G-R11	Fanless embedded system with Intel® Core™ i5-4400E 2.7 GHz CPU, TDP 37W, 2 x HDMI, 1 x VGA, 2 x 2.5" SATA HDD bay, 4GB memory pre-installed, iRIS-1010, 12 V DC, RoHS
ECN-380-QM87I-C/4G-R11	Fanless embedded system with Intel® Celeron® 2000E 2.2 GHz CPU, TDP 37W, 2 x HDMI, 1 x VGA, 2 x 2.5" SATA HDD bay, 4GB memory pre-installed, iRIS-1010, 12 V DC, RoHS
ECN-380-QM87I-I5/WD/4G-R11	Fanless embedded system with Intel® Core™ i5-4400E 2.7 GHz CPU, TDP 37W, 2 x HDMI, 1 x VGA, 2 x 2.5" SATA HDD bay, 4GB memory pre-installed, iRIS-1010, 9 V~36V DC, RoHS
ECN-380-QM87I-C/WD/4G-R11	Fanless embedded system with Intel® Celeron® 2000E 2.2 GHz CPU, TDP 37W, 2 x HDMI, 1 x VGA, 2 x 2.5" SATA HDD bay, 4GB memory pre-installed, iRIS-1010, 9 V~36 V DC, RoHS
ECN-380-QM87I-WD-QGW-R10	Fanless embedded system with Intel® Core™ i5-4400E 2.7 GHz, TDP 37W, 2 x HDMI, 1 x VGA, 2 x 2.5" SATA HDD bay, 8GB memory pre-installed, iRIS-1010, with QTS-gateway, 9 V~36V DC, RoHS

Options

Part No.	Description
iRIS-1010-R10	IPMI 2.0 adapter card with AST1010 BMC chip (W/O KVM over IP function) for PCIe Mini socket interface
ECN380VK-100-R10	VESA 100 mount kit for ECN-380
ECN-380-QM87I-WES7E-R10	OS image with Windows Embedded Standard 7 E for ECN-380-QM87I Series, WES7E license label, with DVD ROM

Packing List

1 x Power cord	1 x Chassis screw set
1 x Power adapter (with PSE/ErP certified)	1 x Wall mount bracket