

AFOKAR-08A-RK39

Vehicle Computer Series

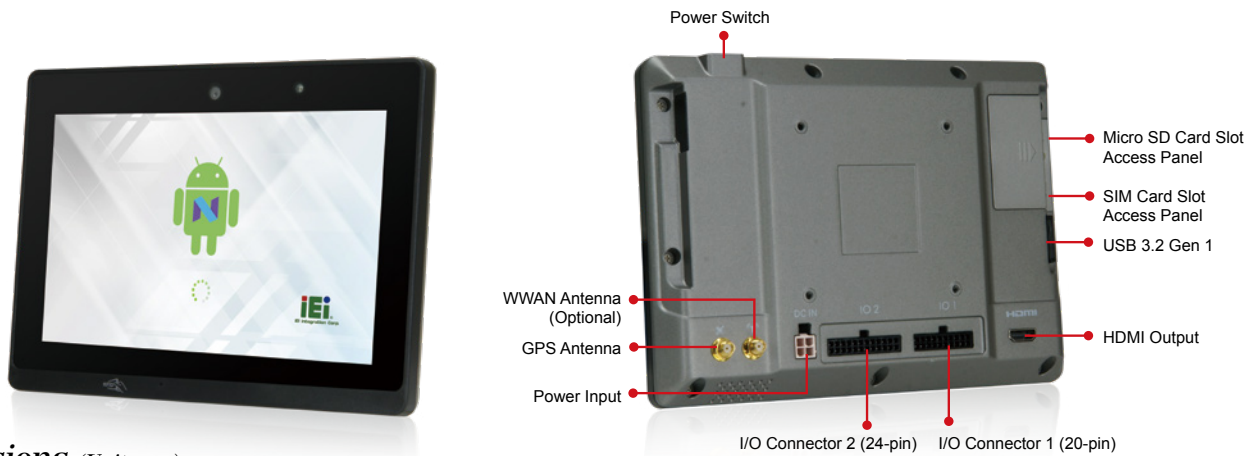
Features

- 8" sunlight readable TFT LCD with projected capacitive touchscreen
- Optional LTE module
- Built-in GPS receiver
- Built-in OBD-II/J1939
- OS: Android 9

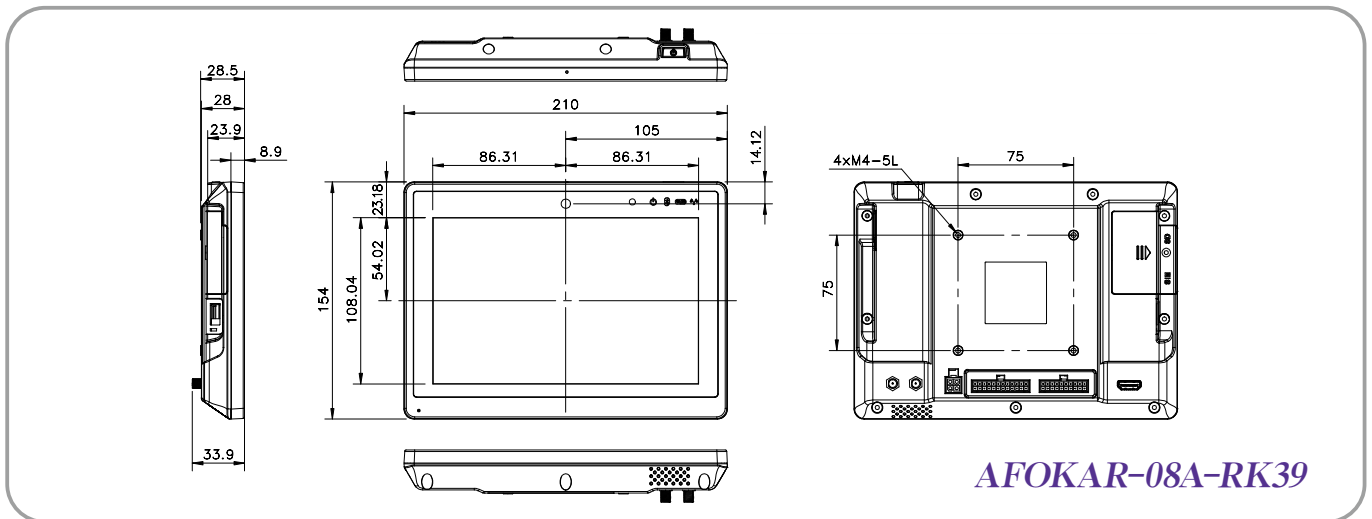


Specifications

Model Name		AFOKAR-08A-RK39
Chassis	Color	Black C + Silver
	Dimensions (WxHxD) (mm)	210 x 154 x 33.9
	System Fan	Fanless
	Chassis Construction	PC + ABS plastic front, Metal rear
Display	Size	8"
	Resolution	800 (RGB) × 1280
	Brightness (cd/m ²)	500 cd/m ² (typ.)
	Contrast Ratio	800 : 1 (typ.)
	Pixel Pitch (mm)	0.13455 (H) × 0.13455 (V)
	Viewing Angle (H/V)	85/85/85/85 Deg.
	Touchscreen	Projected capacitive with AG coating
Motherboard	CPU	Rockchip RK3399 (Dual-core Cortex-A72 up to 1.8GHz + Quad-core Cortex-A53 up to 1.5GHz)
	System Memory	2GB LPDDR4
Storage	SD Card	1 x Micro SD slot
	Flash	16GB eMMC NAND flash
Communication	WLAN	802.11 a/b/g/n/ac
	Bluetooth	Bluetooth V4.1
	WWAN	PCIe Mini LTE (optional)
	RFID	13.56 MHz ISO4443 A/B, read-write capable, ISO 14443A (MIFARE), ISO 14443B (FeliCa)
	GPS	On-board GPS
I/O Interfaces	20-pin Connector	1 x OBD-II/J1939 1 x USB 2.0 2 x CVBS Video input
	24-pin Connector	1 x Audio out 1 x RS-232 1 x RS-485 4-bit digital I/O with isolation (2-bit input, 2-bit output)
	USB 3.2 Gen 1	1 x USB 3.2 Gen 1 Type A
	Display	1 x HDMI output
	SIM	1 x On-board SIM card slot
	Antenna	1 x GPS, 1 x WWAN
	Expansions	PCIe Mini 1 x Full-size (reserved for WWAN)
Multimedia	Speaker	1 x Speaker (2 W)
	Camera	5-megapixel CMOS
LED Indicator & Button	Indicator	Power/BT/Wi-Fi/WWAN
	Button	1 x Power button
Power	Power Input	DC 9 V~30 V, 4-pin connector (with ACC ignition)
	Power Consumption	12V @ 1.2A
Reliability	Mounting	VESA mount 75mm x 75mm
	Operating Temperature	-10°C ~ 50°C with air flow
	Storage Temperature	-20°C ~ 60°C
	Humidity	10% ~ 90%, non-condensing
	Operating Shock	Half-sine wave shock 5G, 11ms, 3 shocks per axis
	Operating Vibration	MIL-STD-810F 514.5C-2
	Weight (Net)	0.77 kg
OS	Safety/EMC	CE/FCC (Class A)/E-mark/IP54 front panel compliant
	Supported OS	Android 9
	Watchdog timer	Yes



Dimensions (Unit: mm)



Ordering Information

Part No.	Description
AFOKAR-08A-RK39-R20-TW	8" 500 cd/m ² , Android 7.1 in- vehicle panel PC with Rockchip 3399 processor, 2GB LPDDR3, 16GB eMMC flash, GPS, Wi-Fi/Bluetooth, OBD-II, 5-megapixel camera, RFID reader, TW reg, R11
AFOKAR-08A-RK39-R20-CN	8" 500 cd/m ² , Android 7.1 in- vehicle panel PC with Rockchip 3399 processor, 2GB LPDDR3, 16GB eMMC flash, GPS, Wi-Fi/Bluetooth, OBD-II, 5-megapixel camera, RFID reader, CN reg, R11
AFOKAR-08A-RK39-R20-US	8" 500 cd/m ² , Android 7.1 in- vehicle panel PC with Rockchip 3399 processor, 2GB LPDDR3, 16GB eMMC flash, GPS, Wi-Fi/Bluetooth, OBD-II, 5-megapixel camera, RFID reader, US reg, R11
AFOKAR-08A-RK39-R20-EU	8" 500 cd/m ² , Android 7.1 in- vehicle panel PC with Rockchip 3399 processor, 2GB LPDDR3, 16GB eMMC flash, GPS, Wi-Fi/Bluetooth, OBD-II, 5-megapixel camera, RFID reader, EU reg, R11

Options

Item	Part No.	Description
Power Adapter	IVIPOWER-4PIN-R10	Adapter power with 4-pin transfer cable, RoHS
Cigarette Lighter Power Cable	32002-004000-100-RS	Car cigarette lighter cable
VESA Mount Stand	IVI-MK03-R10	138mm 75x75 VESA mount stand
VESA Mount Stand	IVI-MK04-R10	286mm 75x75 VESA mount stand
OBD-II Cable	32025-003400-100-RS	OBDII CABEL;2;2000MM;24AWG;(A)OBD2-16P MALE;(B)D-SUB 9PIN FEMALE
ACC Power Cable	32002-001900-100-RS	Vehicle battery to device power cable;3000MM;16AWG
GPS/LTE Antenna	32506-000500-100-RS	Magnetic Antenna Base_GPS+GLOANSS & 3G/LTE 2 In 1 Antenna;RG 174;5000MM
I/O Connector (20-pin)	32024-003800-100-RS	1 x DB-9 for OBD-II/J1939, 1 x USB 2.0 TYPE A, 2 x CVBS Video input
I/O Connector (24-pin)	32124-004400-100-RS	1 x Audio line-out (R+L), 1 x RS-232, 1 x RS-485,1 x terminal block 4 bit digital I/O
LTE Module	27552-000004-RS	WCDMA/HSPA+/LTE;SIM7500SA
	27552-000005-RS	GSM/LTE/WCDMA;SIM7500E
	27552-000006-RS	LTE/WCDMA;SIM7500A

Packing List

1 x AFOKAR Device